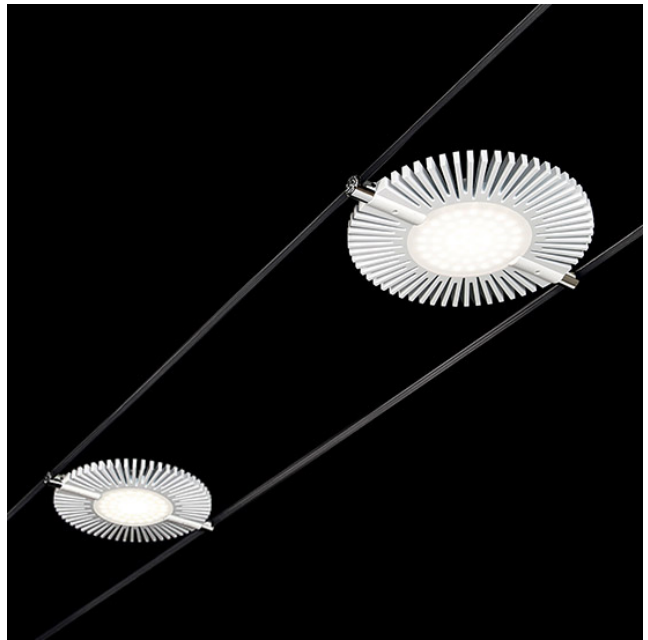
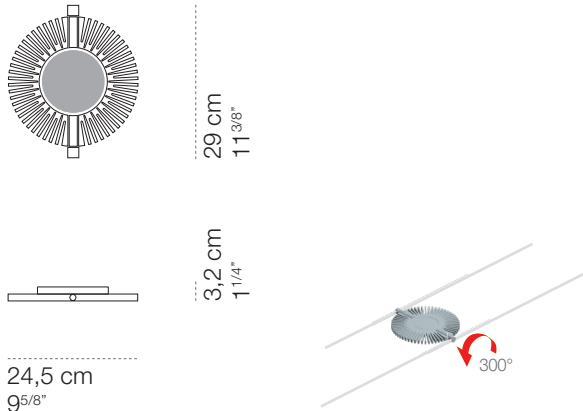
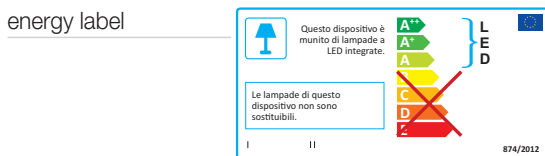


# new **Tensoled**



luminaire	
materials	aluminium, technopolymers
environment	interiors
mounting location	on cable
emission	direct or indirect light
weight	0,9 kg
voltage	230V
ballast	integrated electronic dimmable
certifications	CE IP20
design	Luta Bettonica, Mario Melocchi, 2013

light source	
source	LED
number of LED	50
power	33W
luminous flux	3.000 lm
colour temperature	3.000K
CRI	80



finiture		
white cod 846	silver cod 845	colour on demand

## accessories for installation (see specific technical sheet)

