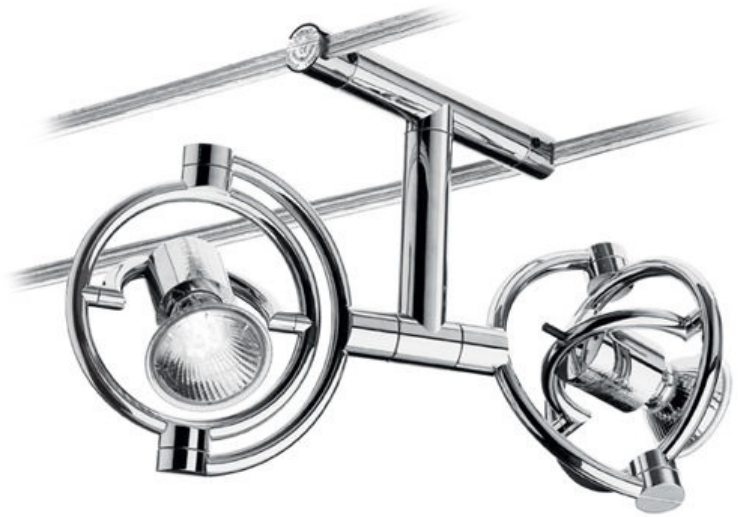
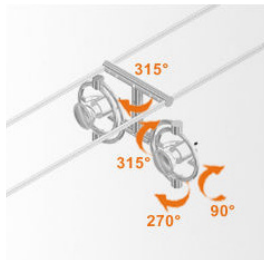
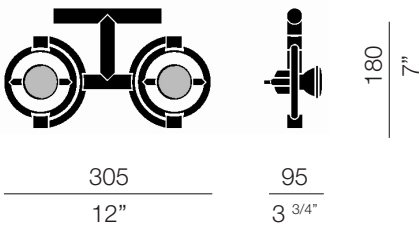


## miniTensoFaridue

Plug in/out miniTensoLuminaire, cable-mounted operating 230V without any transformer, for accent lighting.  
No tools needed for installation: just insert it, like a plug in a socket.



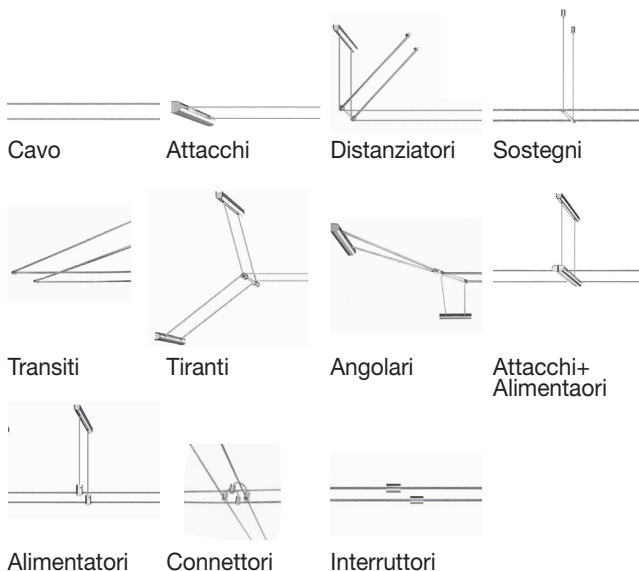
### LUMINAIRE

materials	<b>zama</b>
environment	<b>interiors</b>
mounting location	<b>on cables</b>
emission	<b>direct pointing light</b>
weight	<b>0,7 kg</b>
tension	<b>230V</b>
insulation class	<b>2</b>
IP classification	<b>IP20</b>
marks	<b>CE</b>
design Franco Bettonica, Mario Melocchi, 1998	

### LIGHT SOURCE

source	<b>directional led PAR</b>
socket	<b>GU10</b>
bulb included	<b>yes</b>
number of bulbs	<b>2</b>
power	<b>5,5W (halo max 75W)</b>
power	<b>2.500 h</b>
colour temperature	<b>2.700K</b>

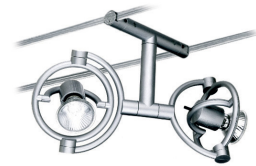
### ACCESSORIES FOR INSTALLATION



### FINISHES



chrome  
cod 321L



silver  
cod 322L