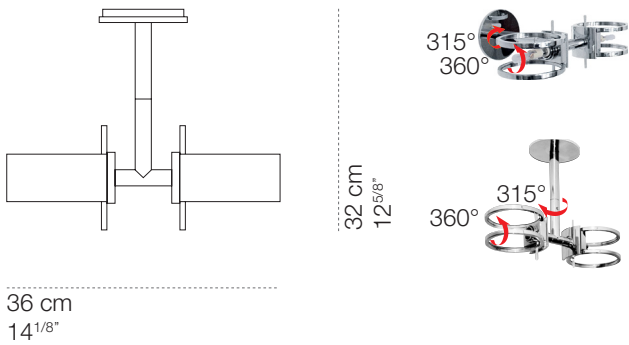


newComponi200 due

parete|soffitto 25



luminaire - structure	
materials	aluminium, steel
environment	interiors
mounting location	wall/ceiling
emission	direct, indirect, diffused, mixed, accent light
weight	1,3 kg
tension	230V
IP classification	IP20
certifications	CE □ ▽
design	Luta Bettonica, Luca Melocchi, Mario Melocchi, 2009-2019

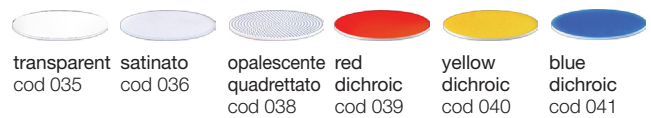
light source	
source	LED
socket	B15d
bulb included	yes
number of LED	2
power	2 x 8 W
luminous flux	2 x 1.055 lm
colour temperature	2 x 2.700 K

components

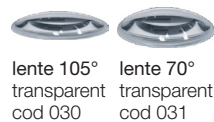
Componi200 anello



Componi200 disco



Componi200 lente



finish - structure



chrome
cod 015B



satin nickel-plated
cod 016B